

智明電子股份有限公司規格承認書

CHIMING ELECTRONICS CORP SPECIFICATION FOR APPROVAL

地址:新竹市橫山鄉橫山村站前街 58 號 **Add:** #58 Station Street, Henghan Hsing, Hsinchu Hsien, Taiwan

Tel: 886-3-593-3482 OR 3-593-1851 **Fax:** 886-3-593-4537 OR 3-593-3238

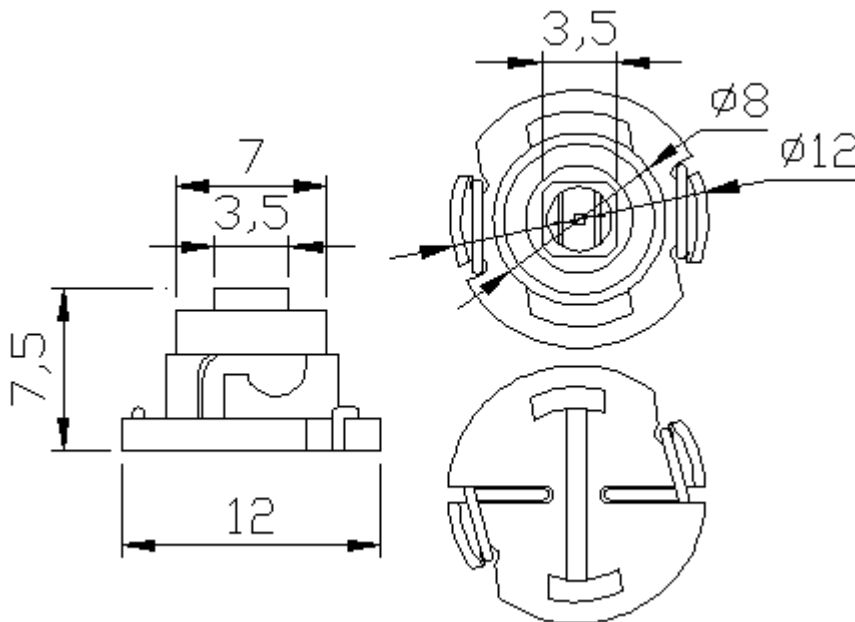
E-mail: att2278@ms71.hinet.net [Http://www.chi-ming.com](http://www.chi-ming.com)

DESCRIPTION:

(A) Electronics and Optical Characteristics: Ta=25°C

PART NO	Emitting Color	Forward Voltage (DC)	Totality Luminous Intensity	Efficacy	Dominant Wavelength	Color Temperature	Single LED Intensity	Viewing Angle
T5-NEO WEDGE-1HP		Unit: V	Unit: LM Error margin: ±5%	Unit: LM/W	Unit: nm	Unit: K	Unit: mcd (0.3m)	Unit: deg
R	Super Red	14.20	2.393	9.11	626~640	1001	271	115.9
Y	Super Yellow	14.20	2.140	8.15	596~600	1338	254	117.4
G	Ultra Green	14.20	2.195	8.45	531~525	7425	250	123.4
B	Ultra Blue	14.20	0.838	3.19	463~460	>=100000	86	112.2
W	Super White	14.20	3.879	14.85	X:0.295Y:0.302	7995	556	102.4
Test Condition		Power:0.25W		Current:18±10%mA				

Figure:



(B) Absolute Maximum Ratings AT Ta=25°C

PARAMETER	MAX	UNIT
Continuous Forward Current		mA
Peak Forward Current (1/10 Duty Cycle 0.1ms Pulse Width)		mA
Reverse Voltage		V
Operating Temperature Range	-20°C to +50°C	
Storage Temperature Range	-40°C to +100°C	
Lead Solder Temperature 1.6mm Below Package 260°C For 5 seconds		

APPROVED & CHECKED BY: LiHuaping Tested By: LiHuaping Date: 2009/04/06